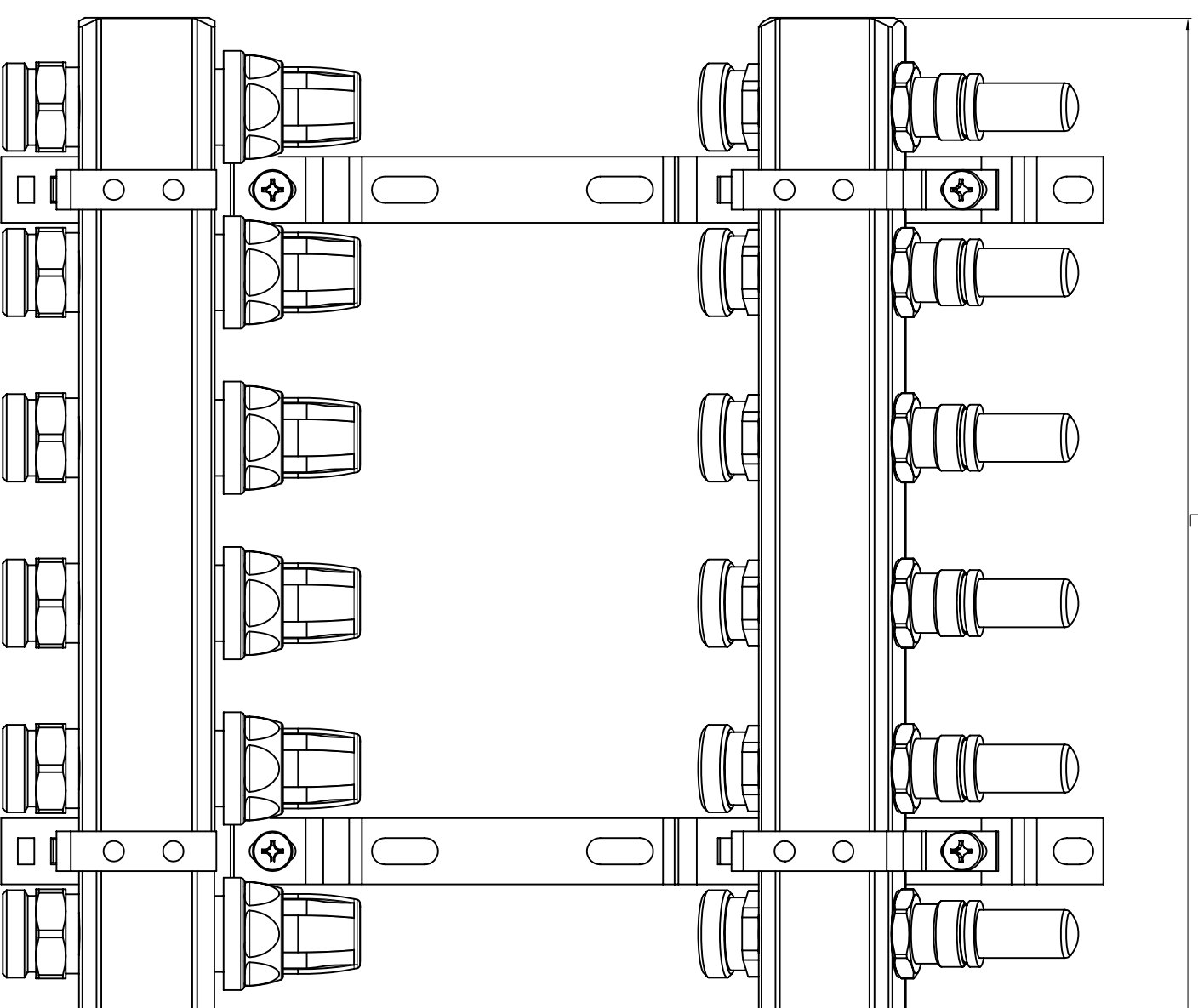
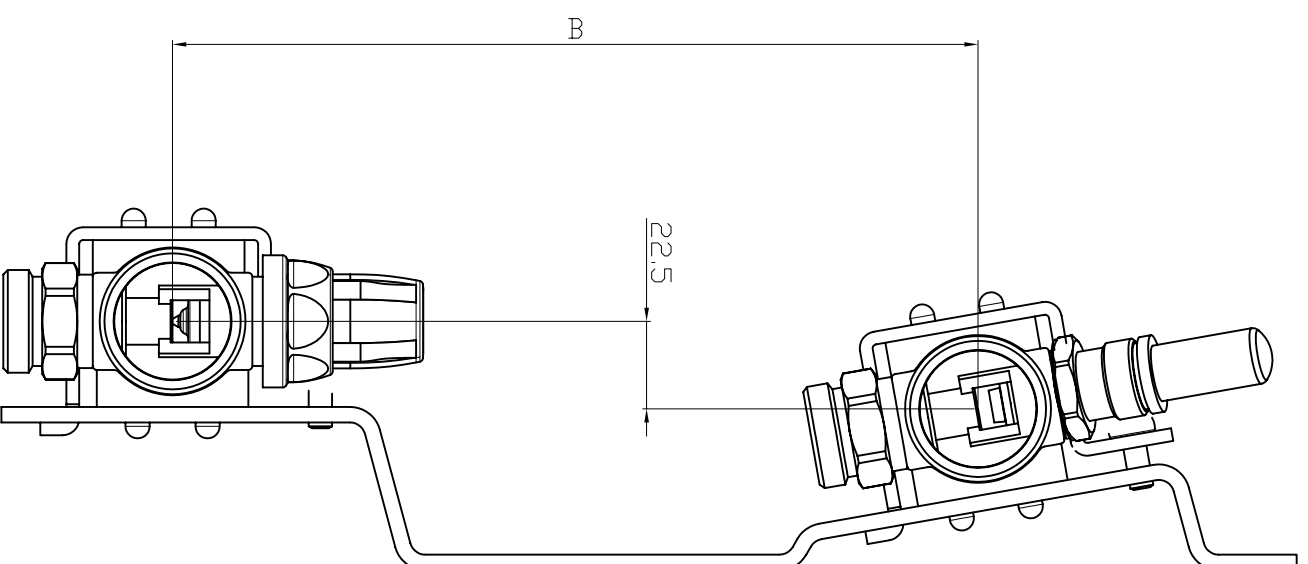


Art. K013 Euroconus exits Art. K014 M24x1.5 exits



CODE	CODE	EXITS	A	B
87K013PG06	87K014PG06	2	104	210
87K013PH06	87K014PH06	3	154	210
87K013PJ06	87K014PJ06	4	204	210
87K013PQ06	87K014PQ06	5	254	210
87K013PK06	87K014PK06	6	304	210
87K013PR06	87K014PR06	7	354	210
87K013PL06	87K014PL06	8	404	210
87K013PS06	87K014PS06	9	454	210
87K013PM06	87K014PM06	10	504	210
87K013PT06	87K014PT06	11	554	210
87K013PU06	87K014PU06	12	604	210

ARTICLE
Art. K013-K014 G 1" Manifold set for under floor heating
with flowmeters and thermostatic valve