

Series
VENTS VKM 100-125 E



Series
VENTS VKM 100-315



Series
VENTS VKM 355-450



In-line centrifugal fans in steel casing with the air capacity up to **5260 m³/h**

■ **Applications**

Supply and exhaust systems for various premises. The steel casing provides reliable operation in case of outdoor installation. For premises with high requirements to the noise level we suggest units in low-noise modification (VKM...Q).

■ **Design**

The fan casing is made of steel with polymeric coating. For easy connection and operation the power cord with a plug can be provided (VKM...R).

■ **Motor**

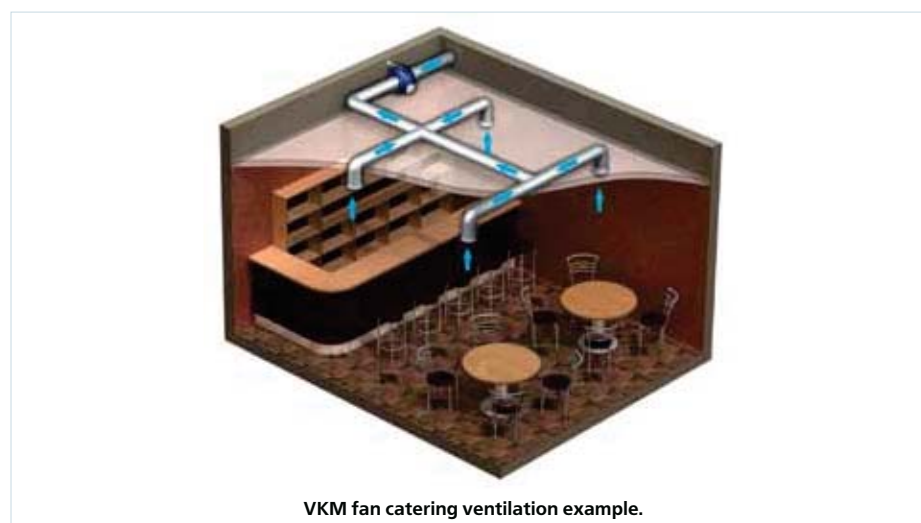
The impeller with backward curved blades is powered by the single-phase motor with external rotor and overheating protection with automatic restart. Some standard sizes are available is high-powered modifications (VKMS). **The VKM...E models are equipped with energy-efficient motor with low energy demand.** The motor is equipped with ball bearings for long service life designed for at least 40 000 hours. For precise features, safe operation and low noise, each turbine is dynamically balanced while assembly. Motor protection rating IP 44.

■ **Speed control**

Smooth or step speed control is performed with thyristor or autotransformer controller. Several fans can be connected to one controller in case the total power and operating current do not exceed the controller rated values.

■ **Mounting**

Mounting to wall or ceiling at any angle is performed with fastening brackets supplied with the unit. The fan is powered through the external terminal box. Electric connection and installation shall be performed in compliance with the manual and wiring diagram on the terminal box.



VKM fan catering ventilation example.

Designation key: _____

Fan series	
VENTS VKM	S – high-powered motor

Duct diameter
100; 125; 150; 160; 200; 250; 315; 355; 400; 450

Additional options
E – energy-efficient motor with low energy demand; Q – low-noise design; P – supply cable with a C14 plug.

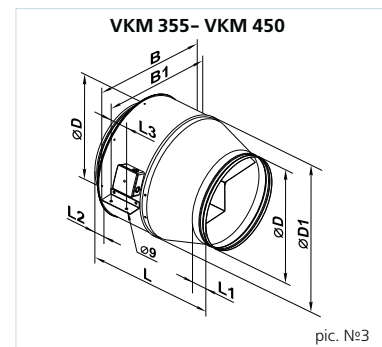
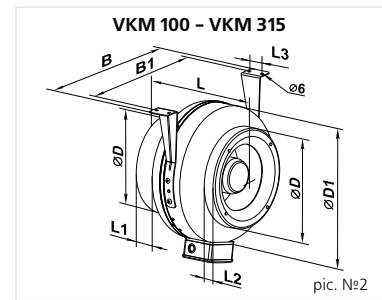
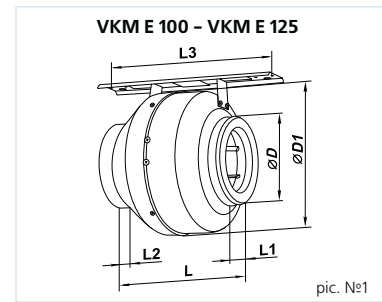
Accessories



page 284 page 292 page 294 page 298 page 306 page 338 page 340 page 348 page 354 page 354 page 358 page 359

Fan overall dimensions:

Type	Dimensions [mm]								Mass [kg]	№ pic.
	∅D	∅D1	B	B1	L	L1	L2	L3		
VKM 100 E	100	204	-	-	195	20	20	258	3,9	1
VKM 100 Q	98	254	298	258	205	20	25	30	4,2	2
VKM 100	98	254	298	258	205	20	25	30	4,4	2
VKM 125 E	125	204	-	-	195	20	20	258	3,9	1
VKM 125 Q	123	254	298	258	205	20	25	30	4,1	2
VKM 125	123	254	298	258	205	20	25	30	4,3	2
VKM 150 Q	149	304	349	309	200	20	25	30	5,4	2
VKM 150	149	304	349	309	220	25	25	30	5,4	2
VKMS 150	149	340	386	346	226	20	20	40	5,7	2
VKM 160 Q	159	304	349	309	200	20	25	30	5,4	2
VKM 160	159	304	357	317	220	25	25	30	5,6	2
VKMS 160	159	340	386	346	226	2	20	40	5,7	2
VKM 200	198	344	390	350	240	25	29	40	6,6	2
VKMS 200	198	344	390	350	250	25	29	40	6,7	2
VKM 250 Q	248	344	390	350	249	25	31	40	7,1	2
VKM 250	248	344	390	350	249	25	31	40	7,3	2
VKM 315	314	404	454	414	260	25	40	40	8,1	2
VKMS 315	314	404	454	414	288	25	40	40	8,2	2
VKM 355 Q	353	460	522	522	506	60	60	70	12,8	3
VKM 400	398	570	663	634	570	60	60	70	20,0	3
VKM 450	448	608	700	670	644	60	60	80	30,0	3



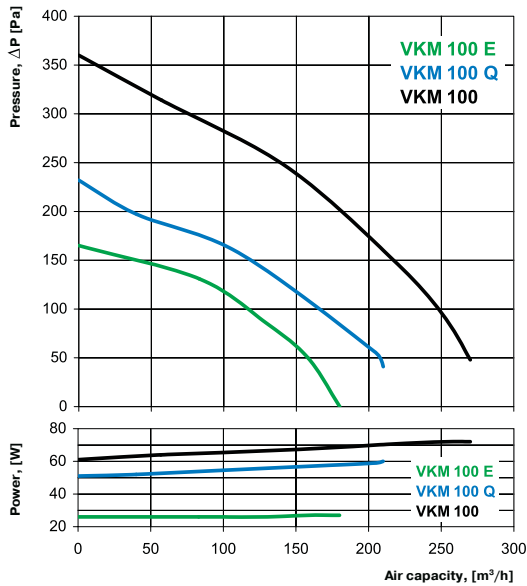
Technical data:

	VKM 100 E	VKM 100 Q	VKM 100	VKM 125 E	VKM 125 Q	VKM 125	VKM 150 Q	VKM 150	VKMS 150	VKM 160 Q
Voltage [V / 50 Hz]	230	230	230	230	230	230	230	230	230	230
Power [W]	27	60	73	27	60	75	75	98	116	73
Current [A]	0,13	0,37	0,32	0,13	0,37	0,33	0,33	0,43	0,52	0,33
Maximum air flow [m³/h]	180	210	270	240	255	355	470	555	645	470
RPM [min ⁻¹]	2745	2620	2830	2780	2535	2800	2515	2705	2625	2500
Noise level at 3 m [dBA]	32	36	47	32	36	47	46	47	50	46
Maximum operating temperature [°C]	-25 +50	-25 +55	-25 +55	-25 +50	-25 +55	-25 +55	-25 +55	-25 +55	-25 +55	-25 +55
Protection rating	IP X4	IP X4	IP X4	IP X4	IP X4	IP X4	IP X4	IP X4	IP X4	IP X4

Technical data:

	VKM 160	VKMS 160	VKM 200	VKMS 200	VKM 250 Q	VKM 250	VKM 315	VKMS 315	VKM 355 Q	VKM 400	VKM 450
Voltage [V / 50 Hz]	230	230	230	230	230	230	230	230	230	230	230
Power [W]	98	115	154	193	158	194	171	296	233	460	665
Current [A]	0,43	0,52	0,67	0,84	0,69	0,85	0,77	1,34	1,06	2,23	2,89
Maximum air flow [m³/h]	555	645	950	1100	1190	1310	1400	1880	2210	3050	5260
RPM [min ⁻¹]	2660	2650	2375	2780	2315	2790	2600	2720	1375	1370	1265
Noise level at 3 m [dBA]	47	50	48	51	52	52	52	54	58	61	65
Maximum operating temperature [°C]	-25 +55	-25 +55	-25 +50	-25 +45	-25 +50	-25 +50	-25 +50	-25 +45	-25 +45	-40 +80	-40 +70
Protection rating	IP X4	IP X4	IP X4	IP X4	IP X4	IP X4	IP X4	IP X4	IP X4	IP X4	IP X4

VENTS VKM

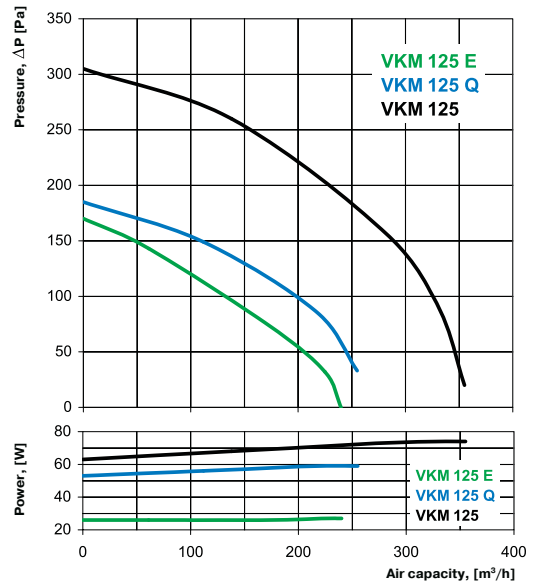


VKM 100 E		Octave-frequency band [Hz]								
Sound-power level	Hz	Gen	63	125	250	500	1000	2000	4000	8000
L _{WA} to inlet	dBA	50	40	44	44	46	40	39	34	24
L _{WA} to outlet	dBA	50	41	48	44	44	42	39	33	27
L _{WA} to environment	dBA	44	19	11	19	32	35	35	26	13

VKM 100 Q		Octave-frequency band [Hz]								
Sound-power level	Hz	Gen	63	125	250	500	1000	2000	4000	8000
L _{WA} to inlet	dBA	64	48	57	57	59	51	47	40	28
L _{WA} to outlet	dBA	64	52	62	56	57	50	46	39	32
L _{WA} to environment	dBA	57	23	13	23	38	42	42	31	15

VKM 100		Octave-frequency band [Hz]								
Sound-power level	Hz	Gen	63	125	250	500	1000	2000	4000	8000
L _{WA} to inlet	dBA	73	47	63	67	68	60	55	54	38
L _{WA} to outlet	dBA	77	54	66	73	66	66	60	55	46
L _{WA} to environment	dBA	63	45	60	55	41	25	7	18	22

VENTS VKM

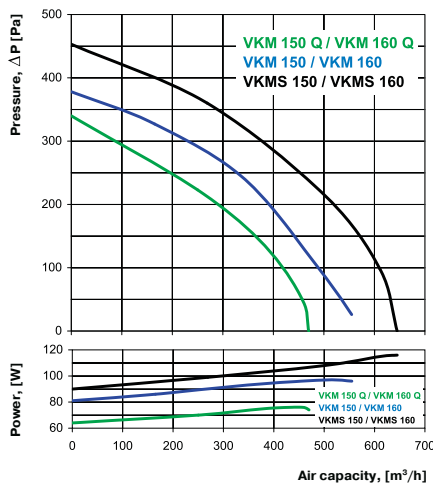


VKM 125 E		Octave-frequency band [Hz]								
Sound-power level	Hz	Gen	63	125	250	500	1000	2000	4000	8000
L _{WA} to inlet	dBA	43	27	37	38	40	36	34	27	23
L _{WA} to outlet	dBA	45	26	37	42	42	37	39	32	25
L _{WA} to environment	dBA	47	35	44	42	34	24	13	24	22

VKM 125 Q		Octave-frequency band [Hz]								
Sound-power level	Hz	Gen	63	125	250	500	1000	2000	4000	8000
L _{WA} to inlet	dBA	60	34	51	53	56	46	43	34	29
L _{WA} to outlet	dBA	62	33	52	59	58	51	49	41	32
L _{WA} to environment	dBA	65	44	61	59	43	30	17	30	28

VKM 125		Octave-frequency band [Hz]								
Sound-power level	Hz	Gen	63	125	250	500	1000	2000	4000	8000
L _{WA} to inlet	dBA	73	54	67	68	67	64	61	51	41
L _{WA} to outlet	dBA	76	57	69	68	72	71	65	57	45
L _{WA} to environment	dBA	62	51	61	60	46	36	22	31	27

VENTS VKM



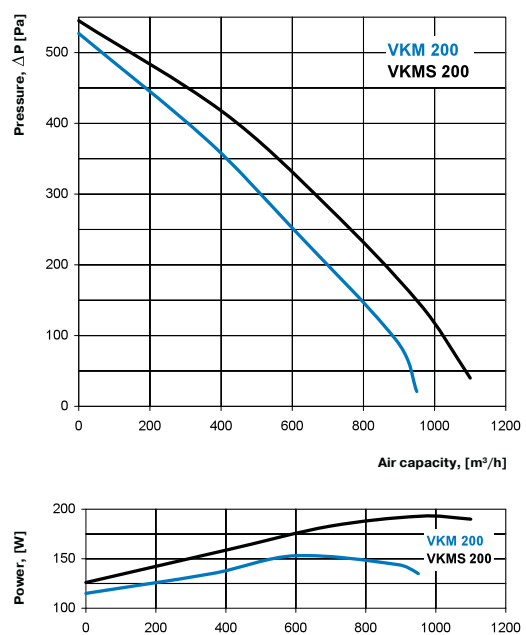
VKM 150 Q / VKM 160 Q		Octave-frequency band [Hz]								
Sound-power level	Hz	Gen	63	125	250	500	1000	2000	4000	8000
L _{WA} to inlet	dBA	63	41	57	55	59	52	52	45	35
L _{WA} to outlet	dBA	65	38	61	55	62	55	52	46	34
L _{WA} to environment	dBA	55	37	52	48	35	17	15	25	20

VKM 150		Octave-frequency band [Hz]								
Sound-power level	Hz	Gen	63	125	250	500	1000	2000	4000	8000
L _{WA} to inlet	dBA	72	45	65	62	67	59	59	49	38
L _{WA} to outlet	dBA	74	42	69	63	71	63	59	50	37
L _{WA} to environment	dBA	62	41	59	55	39	19	17	28	22

VKM 160		Octave-frequency band [Hz]								
Sound-power level	Hz	Gen	63	125	250	500	1000	2000	4000	8000
L _{WA} to inlet	dBA	68	41	65	64	63	61	57	47	35
L _{WA} to outlet	dBA	70	47	67	68	66	64	60	51	41
L _{WA} to environment	dBA	60	40	61	55	39	18	16	28	22

VKMS 150 / VKMS 160		Octave-frequency band [Hz]								
Sound-power level	Hz	Gen	63	125	250	500	1000	2000	4000	8000
L _{WA} to inlet	dBA	74	47	67	64	69	66	58	57	50
L _{WA} to outlet	dBA	74	49	70	68	71	62	62	59	52
L _{WA} to environment	dBA	63	46	60	56	48	32	27	48	42

VENTS VKM



VKM 200		Octave-frequency band [Hz]								
Sound-power level	Hz	Gen	63	125	250	500	1000	2000	4000	8000
L _{WA} to inlet	dBA	75	47	68	65	72	65	61	59	49
L _{WA} to outlet	dBA	75	51	72	68	75	67	65	59	50
L _{WA} to environment	dBA	65	46	61	59	47	31	28	46	42

VKMS 200		Octave-frequency band [Hz]								
Sound-power level	Hz	Gen	63	125	250	500	1000	2000	4000	8000
L _{WA} to inlet	dBA	75	48	66	72	73	66	63	58	49
L _{WA} to outlet	dBA	78	51	70	74	71	64	64	60	53
L _{WA} to environment	dBA	66	49	64	60	45	35	28	46	41

