

Series  
**VENTS VOK**



Axial roof fans with the air capacity up to **2500 m<sup>3</sup>/h** in the steel casing with the horizontal exhaust of air.

■ **Applications**

Exhaust ventilation system for various premises for roof mounting. Compatible with Ø 200 to 500 mm round air ducts.

■ **Design**

The fan casing is made of steel with polymeric coating.

■ **Motor**

The impellers are powered with two- or four-pole, single- or three-phase asynchronous motors with external rotor and built-in thermal overheating protection with automatic restart depending on the model. Ball bearings in the motor ensure long service life. Motor protection rating IP 44.

■ **Speed control**

Both smooth or step speed control is performed by means of the thyristor or autotransformer controller. Several fans can be connected to one controller under condition that the total power and operating current do not exceed the rated controller values.

■ **Mounting**

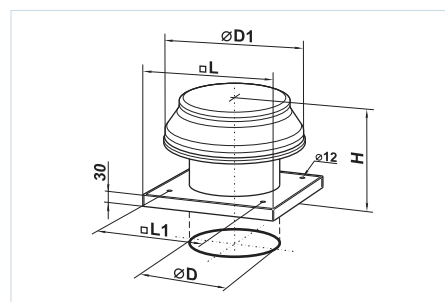
The fan is mounted on the roof directly above the ventilating duct or shaft and is firmly fixed to the flat surface by means of a connecting plate. While mounting VOK fans directly onto the flat roof a supporting block shall be provided to prevent water and snow drops into the vent of the ventilation shaft. Electrical connection and installation shall be performed in compliance with the manual and circuit diagram on the terminal box.

**Technical data:**

	VOK 2E 200	VOK 2E 250	VOK 4E 250	VOK 2E 300	VOK 4E 300	VOK 4E 350
Voltage [V / 50 Hz]	230	230	230	230	230	230
Power [W]	55	80	50	145	75	140
Current [A]	0,26	0,4	0,22	0,66	0,35	0,65
Maximum air flow [m <sup>3</sup> /h]	860	1050	800	2230	1340	2500
RPM [min <sup>-1</sup> ]	2300	2400	1380	2300	1350	1380
Noise level at 3 m [dBA]	50	60	55	60	58	62
Maximum operating temperature [°C]	-30 +60	-30 +60	-30 +60	-30 +60	-30 +60	-30 +60
Protection rating	IP 54	IP 54	IP 54	IP 54	IP 54	IP 54

**Fan overall dimensions:**

Type	Dimensions [mm]					Mass [kg]
	ØD	ØD1	H	L	L1	
VOK 2E 200	207	341	220	425	330	4,3
VOK 2E 250	262	401	250	425	330	6,5
VOK 4E 250	262	401	250	425	330	6,5
VOK 2E 300	312	401	260	585	450	8,7
VOK 4E 300	312	401	260	585	450	8,7
VOK 4E 350	362	500	260	655	535	10,9



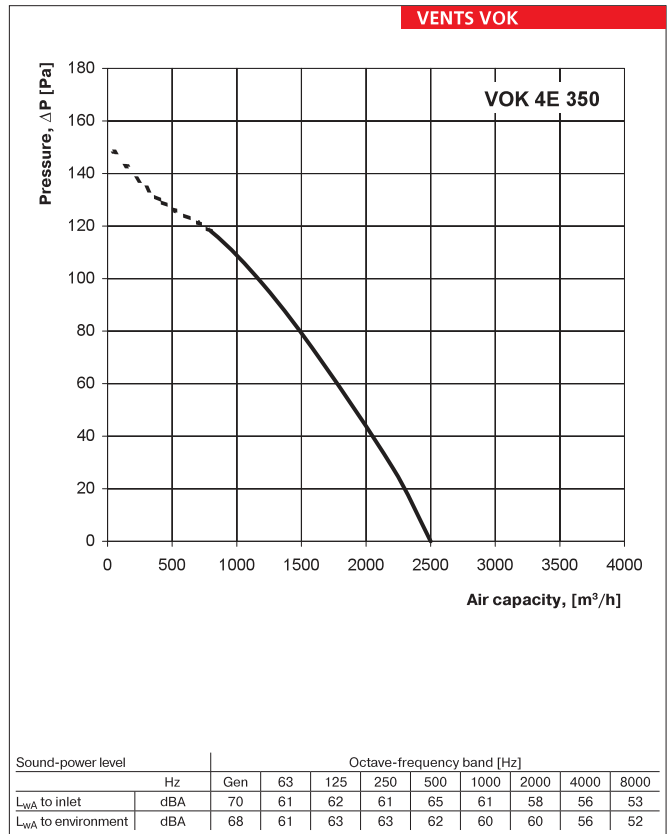
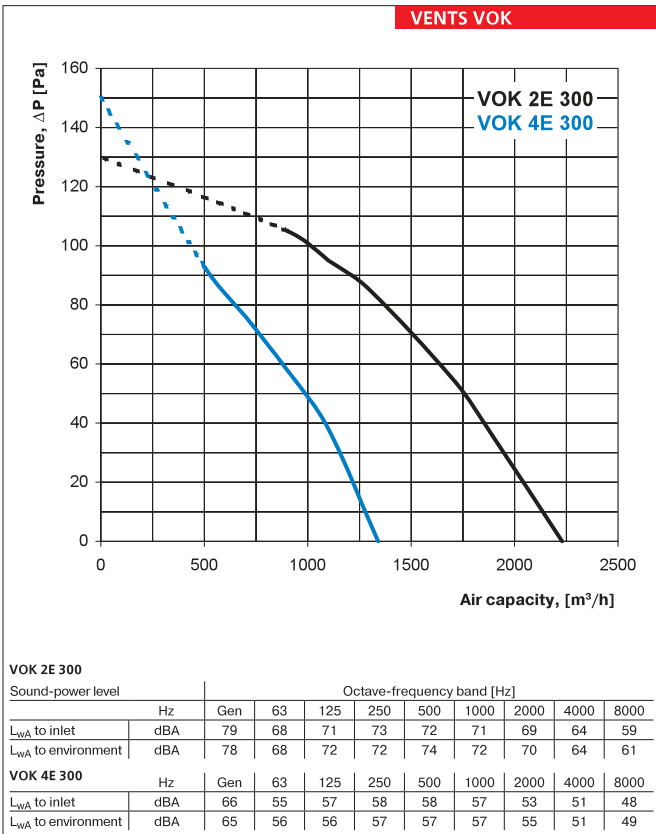
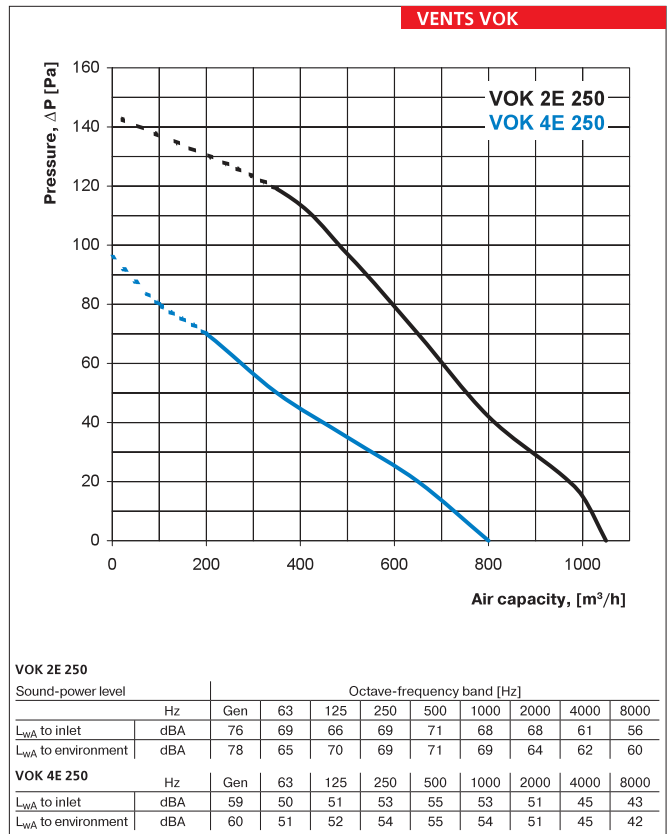
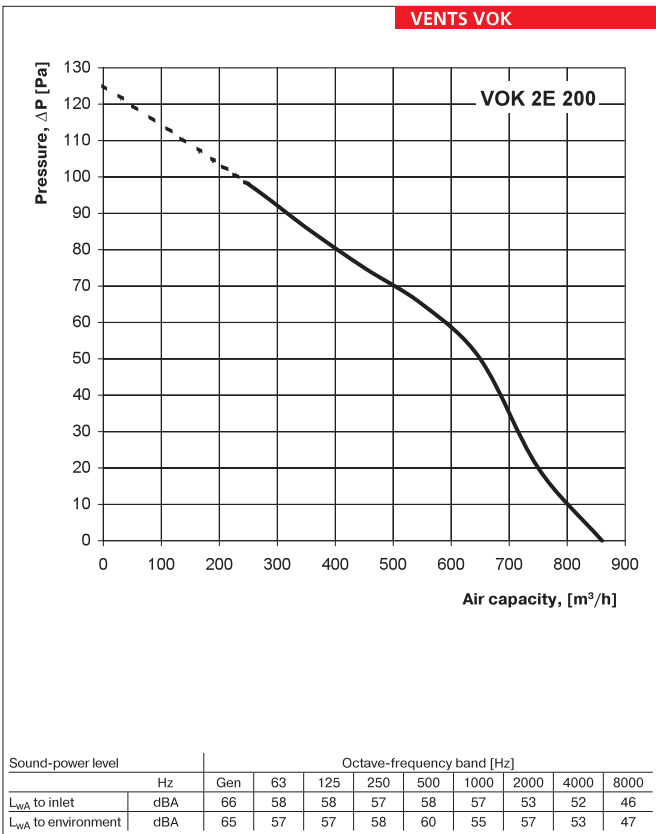
**Designation key:**

Series	Motor modification		Impeller diameter
VENTS VOK	Number of poles	Phase	200; 250; 300; 350
	2 4	E – single phase	

**Accessories**



page 0   page 0   page 0   page 0   page 0   page 0   page 0   page 0   page 0   page 0



FAN SERIES VENTS VOK