

# SPECIAL HOT WATER TANKS

BUFFER TANKS  
FOR SOLAR  
ENERGY SYSTEMS  
AND HEATING

PSM / PSF / PSR / PSRR  
500 to 5000 Litres

PZ/PZR/PZRR  
500 to 1500 Litres



**NEW**

Insulation



Austria Email

# BUFFER TANKS



## FEEL-GOOD QUALITY

AE buffer tanks are suitable for all hot water central heating systems, regardless of whether they are powered by solid-fuel or oil-fired boilers, heat pumps, solar energy systems or continuous flow heaters (gas or electric).

Several buffer tanks can also be combined in a row (see technical data and accessories), meaning the tank volume can be adjusted individually depending on the requirements. Furthermore, the buffer tanks can also be used for cold water storage in cooling processes (up to 3 bar operating / system pressure) or heat recovery in industrial facilities (suitable Armaflex insulation must be provided by the contractor in this case).

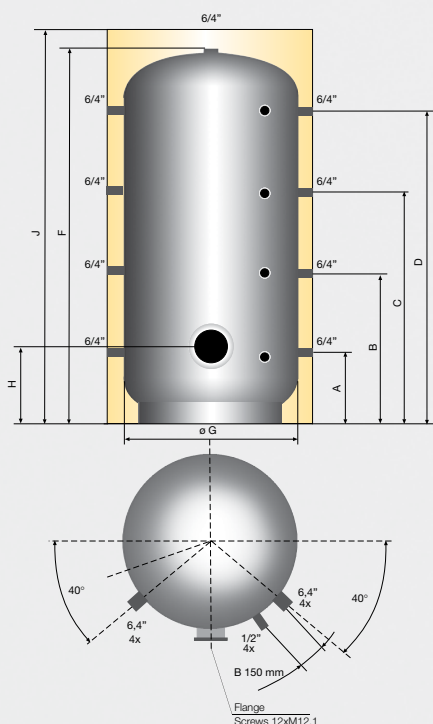
Naturally, Austria Email also offers the required supplementary programme for the buffer tanks, such as the possibility of installing heat exchangers or electric heaters, depending on the required output (see accessories brochure for further information).

Energy-saving ECO SKIN thermal insulation is used for our complete buffer tank range.

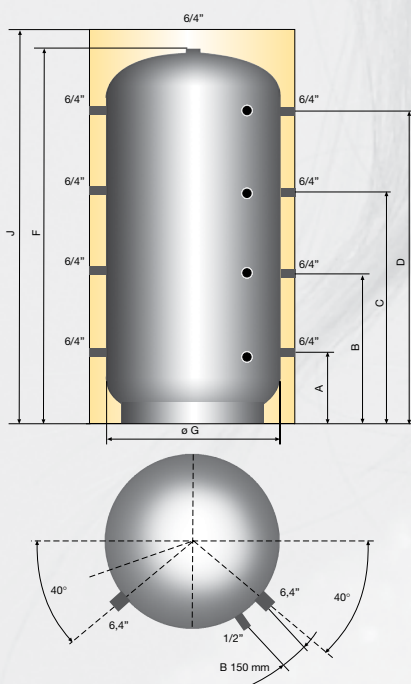


# BUFFER TANKS FOR SOLAR ENERGY SYSTEMS AND HEATING PSM/PSF/PSR/PSRR

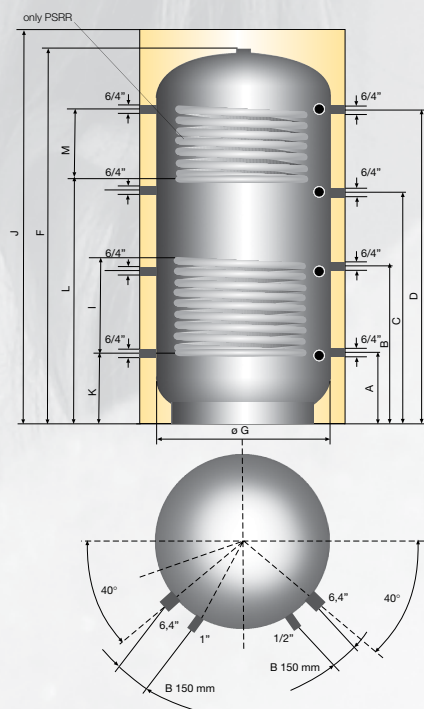
**PSF**  
PSM BUFFER TANK  
WITH D 240 FLANGE



**PSM**  
BUFFER TANK  
WITH 6/4" COUPLING SLEEVES



**PSR / PSRR**  
BUFFER TANK  
(PSM WITH PIPE ARRAY)



Types	500	800	825	1000	1250	1500	2000	3000	4000	5000
PSF	•	•		•		•	•	•	•	•
PSM	•	•	•	•	•	•	•	•	•	•
PSR	•	•		•		•	•	•	•	•
PSRR		•		•		•	•	•	•	•

Types	Standby energy consumption kWh/24h*									
Types	500	800	825	1000	1250	1500	2000	3000	4000	5000
PSF	3,3	4,1	4,2	4,3	5,1	5,4	6,3	7,7	8,7	10,0
PSM	3,0	3,7	3,8	3,9	4,7	5,0	5,9	7,3	8,3	9,6
PSR	3,1	3,9	4,0	4,1	4,9	5,2	6,1	7,5	8,5	9,8
PSRR	3,3	4,0	4,1	4,2	5,0	5,3	6,2	7,6	8,6	9,9

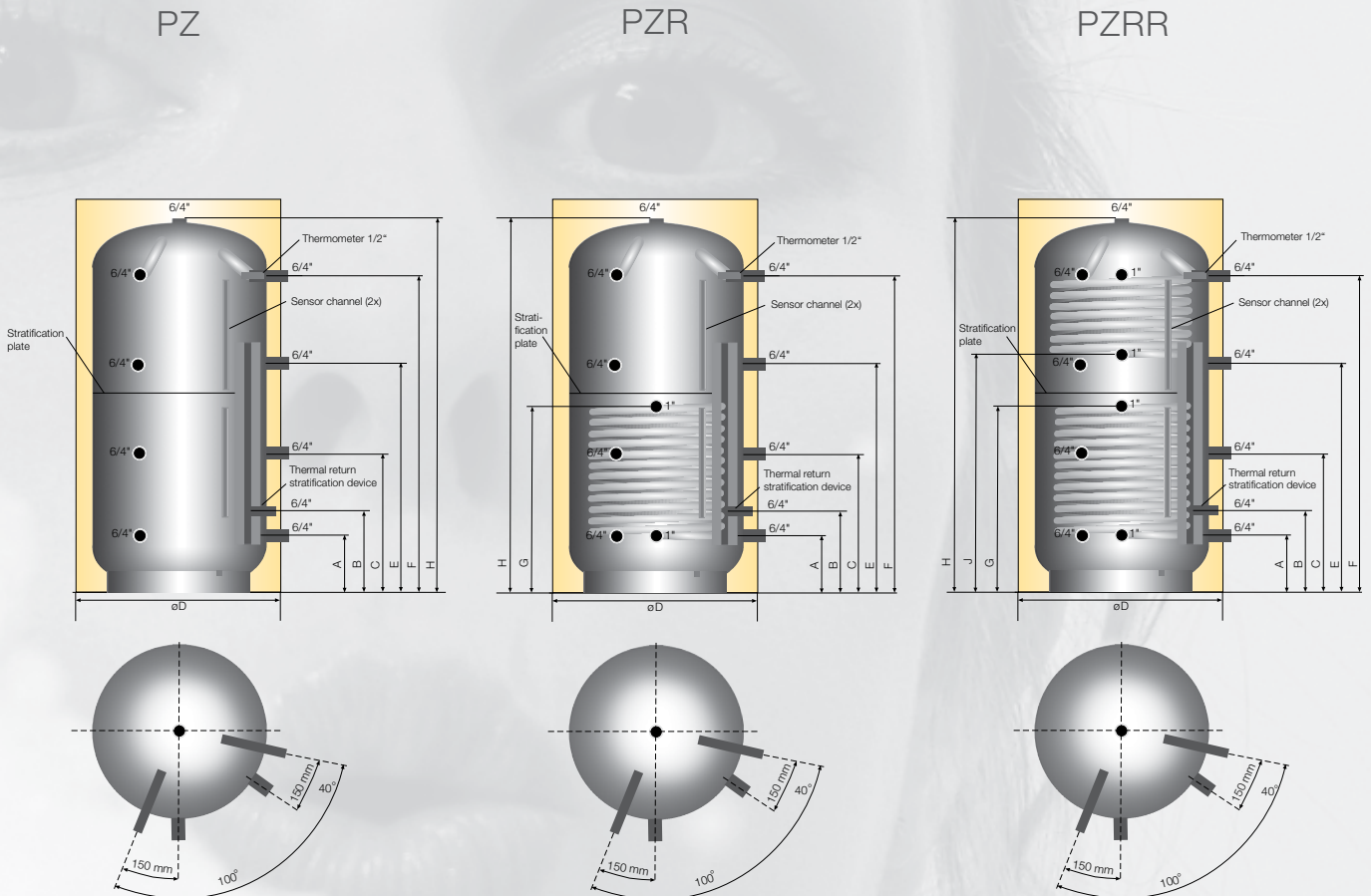
\*Standby energy consumption in kW/24h according to EN 12897

Type	Diagonal height in mm	Dimensions in mm												Pipe array heating surface in m <sup>2</sup>		Array content in l	
		A	B	C	D	F	ø G	H	I	J	K	L	M	lower	upper	lower	upper
500 l	1670	220	620	1010	1390	1640	650	340	495	1725	220	1040	350	1,8	1,2	11	7,5
800 l	1750	260	630	1030	1430	1700	790	390	585	1785	260	1070	360	2,4	1,8	15	11
825 l	1900	260	685	1140	1595	1857	790	-	-	1940	-	-	-	-	-	-	-
1000 l	2090	310	745	1250	1710	2050	790	390	720	2135	310	1160	540	3	2,4	19	15
1250 l	2100	330	705	1105	1480	1802	1000	-	-	1905	-	-	-	-	-	-	-
1500 l	2270	380	825	1350	1760	2150	1000	415	800	2235	375	1260	500	3,6	2,4	22	15
2000 l	2460	320	900	1490	2020	2380	1100	423	800	2465	320	1420	540	4,2	2,8	26	18
3000 l	2650	375	985	1600	2205	2596	1250	460	720	2681	375	1665	540	4,5	3,0	29	19
4000 l	2740	405	1022	1639	2255	2669	1400	490	720	2754	405	1715	540	5,0	3,6	32	22
5000 l	2893	455	1065	1680	2285	2770	1600	540	720	2855	455	1745	540	6,0	4,2	39	26

# STRATIFIED BUFFER TANK

## PZ/PZR/PZRR

A high-quality alternative has been added to our tried-and-tested PS buffer tank range. This is the PZ/PZR/PZRR with a stratification device in the heater return and a stratification separation plate. The innovative concept is rounded off with raised pipe fittings in the supply to improve utilisation of the buffer content and sensor channels providing flexible positioning of the temperature sensors.



Types	500	800	1000	1500
PZ	•	•	•	•
PZR	•	•	•	•
PZRR	•	•	•	•

Types	Standby energy consumption kWh/24h*			
	500	800	1000	1500
PZ	3,0	3,8	4,0	5,1
PZR	3,2	3,9	4,1	5,2
PZRR	3,3	4,1	4,3	5,4

\*Standby energy consumption in kW/24h according to EN 12897

Type	Dia- gonal height in mm	Dimensions in mm										Pipe array heating surface in m <sup>2</sup>		Array content in l				
		H	H with Insulation	øD	øD with Insulation	A	B	C	E	F	G		J		lower (PZ / PZR / PZRR)	upper (PZ / PZR / PZRR)	lower (PZ / PZR / PZRR)	upper (PZ / PZR / PZRR)
											(PZ / PZR / PZRR)	(PZ / PZR / PZRR)	(PZ / PZR / PZRR)	(PZ / PZR / PZRR)				
500 I	1680	1640	1725	650	850	220	320	620	1010	1390	-/1175/715	-/1040	-/1,9/1,9	-/1,2	-/12,3/12,3	-/17,9		
800 I	1750	1700	1785	790	990	260	365	630	1030	1430	-/845/845	-/1070	-/2,4/2,4	-/1,6	-/15,6/15,6	-/10,6		
1000 I	2100	2050	2135	790	990	310	415	745	1250	1710	-/1030/1030	-/1160	-/3,0/3,0	-/2,4	-/19,2/19,2	-/15,6		
1500 I	2250	2150	2235	1000	1200	380	480	825	1350	1760	-/1175/1175	-/1265	-/3,6/3,6	-/2,4	-/23,5/23,5	-/15,6		

# BUFFER TANK – TECHNICAL DATA AND ACCESSORIES

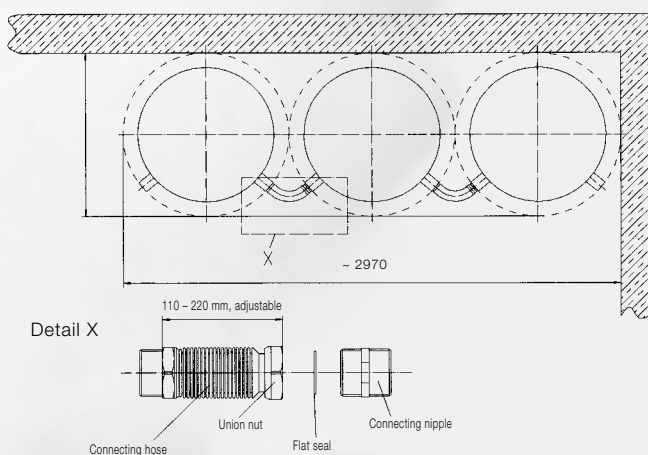
## TECHNICAL DATA

- Nominal capacity of PSF/PSM/PSR/PSRR = 500 to 5000 litres; nominal capacity of PZ/PZR/PZRR = 500 to 1500 litres
- Made from quality St 37-2 steel
- 100 mm ECO SKIN fleece insulation (up to 5,000 l)
- Large-surface pipe array on PSR/PSRR and PZR/PZRR models
- 240 mm flange on PSF models for installing a finned tube heat exchanger or built-in heater
- Operating pressure = 3 bar, test pressure 4.5 bar in buffer tank
- Operating pressure max. 10 bar, test pressure 15 bar in pipe array on PSR/PSRR and PZR/PZRR models
- 4 regulating sleeve threads. „Female thread on PSF/PSM and PSR/PSRR models
- 2 x sensor channels for variable positioning of sensors on PZ/PZR and PZRR models
- Operating temperature = 95°C (110°C in pipe array)
- External powder coating (colour deviations) up to 2000 litres
- External anti-rust coating (from 3,000 litres upwards)

## ACCESSORIES

- Finned tube heat exchanger RWT2-180 (1.8 m<sup>2</sup>)
- Finned tube heat exchanger RWT2-230 (2.3 m<sup>2</sup>)
- Finned tube heat exchanger RWT2-360 (3.6 m<sup>2</sup>)
- Finned tube heat exchanger RWT2-450 (4.5 m<sup>2</sup>)
- Built-in heater RSW 2-9 U
- Built-in heater RSW 2-24 U
- Built-in heater RSW 2-45 U
- SH screw-in heater (1.5-9.0 kW)
- Stainless steel corrugated connection hose for PS connections
- Insulated pipe connector R1“ (electrical insulation)

## BUFFER ROW SAMPLE INSTALLATION, 3 X 1000 LITRES





WE MANUFACTURE  
IN AUSTRIA AND  
DELIVER TO EUROPE

**Head office and factory: Austria Email AG**  
A-8720 Knittelfeld, Austriastrasse 6  
Phone (03512) 700-0, Fax (03512) 700-239  
Internet: [www.austria-email.at](http://www.austria-email.at)  
E-mail: [office@austria-email.at](mailto:office@austria-email.at)

Customer Service: Phone (03512) 700-297  
E-mail: [kundendienst@austria-email.at](mailto:kundendienst@austria-email.at)

**Sales offices:**

**Vienna, Lower Austria, Burgenland**  
A-1230 Wien, Zetschegasse 17  
Phone (01) 6150727, Fax (01) 6150727-260  
E-mail: [bhrastnik@austria-email.at](mailto:bhrastnik@austria-email.at)

**Styria, Carinthia, East Tyrol**  
A-8053 Graz, Am Wagrain 62  
Phone (0316) 271869, Fax (0316) 273126  
E-mail: [gbretterklieber@austria-email.at](mailto:gbretterklieber@austria-email.at)

**Upper Austria, Salzburg**  
A-4600 Wels, Gärtnerstrasse 17  
Phone (07242) 45071, Fax (07242) 43650  
E-mail: [akwetton@austria-email.at](mailto:akwetton@austria-email.at)

**Tyrol, Vorarlberg**  
A-6020 Innsbruck, Etrichgasse 24  
Phone (0512) 347951, Fax (0512) 393353  
E-mail: [hruప్ప@austria-email.at](mailto:hruప్ప@austria-email.at)

**Sales offices Germany:**

**Germany North/East**  
D-14772 Brandenburg, Am Industriegelände 3  
Phone 0049/(0)3381 / 766-0  
Fax 0049/(0)3381 / 766-244  
E-mail: [sgobi@austria-email.at](mailto:sgobi@austria-email.at)

**Germany South**  
D-92637 Weiden/Opf., Parksteiner Strasse 49  
Phone 0049/(0)961 / 63 490-0  
Fax 0049/(0)961 / 63 490-30  
E-mail: [ahirmer@austria-email.at](mailto:ahirmer@austria-email.at)

