



HIGH-EFFICIENCY REGULATED

SMART

FLANGED PUMP NMT SMART 100 F

PERFORMANCE

High efficiency ECM motor series pumps with canned motor and permanent magnets. Variable and constant pressure control through display. For use in water system according to requirements of VDI 2035.

APPLICATIONS

All heating systems, air condition systems, closed loop cooling systems and industrial circulatory systems.

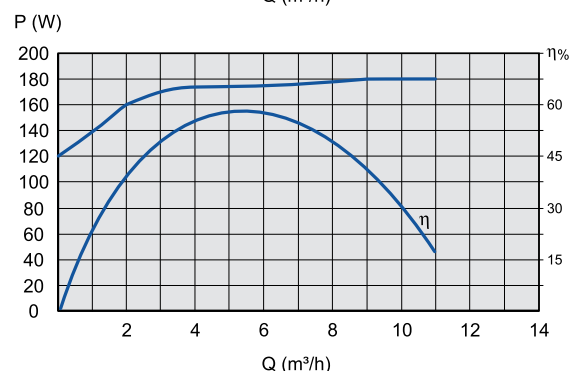
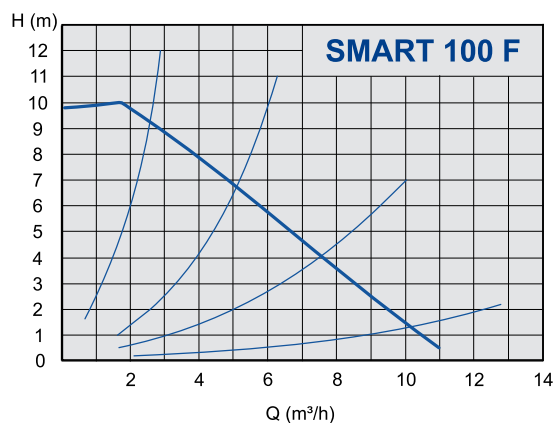
OPERATION

- Auto mode (default)
- Proportional pressure control
- Constant pressure control
- Constant speed
- Night mode

PRODUCT DESCRIPTION

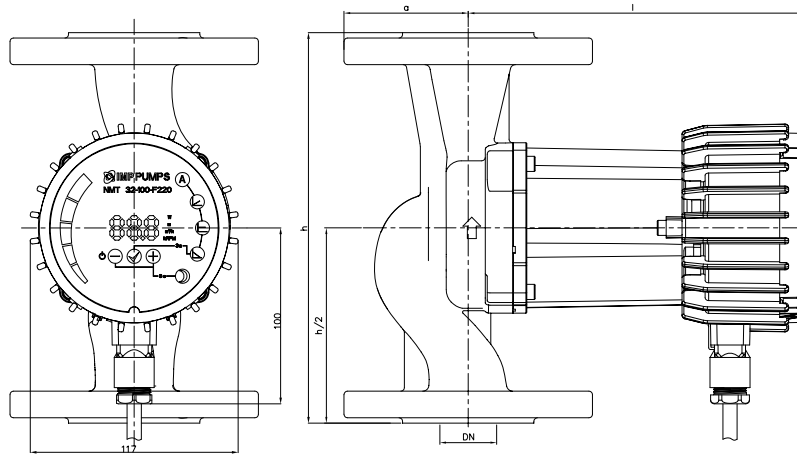
- High efficiency ECM technology
- Energy savings
- LED Display for control
- Easy handling and installation
- Plug & Play
- Robust and compact construction for long life
- Automatic venting
- Low noise operation
- Possibility of housing with cataphoretic
- Possibility of NMT communication module

Pump component	Material
Housing	Cast iron
Impeller	PES
Shaft	Stainless steel
Bearings	Graphite
Ventricular wall	Stainless steel
Rotor can	Stainless steel



NMT	DN	Fitting length	N. Pressure	Weight	Code	Euro
SMART 32-100 F	32	220 mm	PN 10	7,4 kg	979523284	603,00 €
SMART 40- 100 F	40	220 mm	PN 10	8,5 kg	979523285	659,00 €
SMART 50-100 F	50	240 mm	PN 10	9,8 kg	979523286	707,00 €
SMART C 32-100 F	32	220 mm	PN 10	7,6 kg	979523368	746,00 €
SMART C 40-100 F	40	220 mm	PN 10	8,7 kg	979523369	802,00 €
SMART C 50-100 F	50	240 mm	PN 10	10 kg	979523370	850,00 €

Dimensions	h	DN	b1	l	a
SMART 32-100 F	220	32	117	190	70
SMART 40- 100 F	220	40	117	190	75
SMART 50-100 F	240	50	117	190	82,5
SMART C 32-100 F	220	32	117	222	70
SMART C 40-100 F	220	40	117	222	75
SMART C 50-100 F	240	50	117	222	82,5



TECHNICAL DATA

Flow Q up to 11 m³/h
 Pressure H up to 10 m
 Power 7 - 180 Watt
 Nominal pressure 10 bar

Permissible mediums

- Water, mixed with glycol, parameters must be checked in the mixture of water with over 20% of glycol
- Pure non-explosive liquid media free from mineral oils and without solid particles

Permissible temperature range

- Medium temperature from +2 °C to +110 °C with max. surroundings temperature up to +40 °C

Minimum inlet pressure

0,05 bar < 75 °C Temperature of medium
 0,28 bar < 90 °C Temperature of medium

Electrical connection

Voltage 1 ~ 230 V, 50/60 Hz

Motor/Electronics

- Motor with permanent magnets
- The energy index EEI ≤ 0,21
- Built-in motor protection
- 3 control modes (proportional head, constant head, constant speed)
- Degree of protection: IP 44
- Insulation class F